



2GIG-BRDG1-900

GO!BRIDGE IP COMMUNICATOR

INSTALLATION INSTRUCTIONS

The Go!Bridge IP Communicator™ (2GIG-BRDG1-900) provides Internet connectivity between the monitoring service's Central Station and the Go!Control® Panel, when the panel is used as a household burglar alarm system.

It supports automatic firmware updates, provides interactive security services, and increases supervision using signal-forwarding to the Central Station. For wireless communication with the Control Panel, the 900MHz Transceiver Module (2GIG-XCVR) must be installed in the panel. For Internet access, the Go!Bridge must be connected to the local network router using an Ethernet cable (not provided).

Contents

Verify that the package includes the following:

- 1—Go!Bridge IP Communicator
- 1—5VDC USB Mini-B Power Supply
- 1—Stand
- 1—Plastic Power Supply Bracket (includes Self-Adhesive Backing and Zip Tie)
- 1—Wall Socket Screw for Power Supply Bracket
- 2—Phillips Head Screws and Wall Anchors (to mount unit on wall)
- 4—Self-Adhesive Vinyl Bumpers for use on unit or stand

Requirements

Before you install, program, and test the Go!Bridge IP Communicator, ensure the control panel being paired with the Go!Bridge IP Communicator meets these requirements:

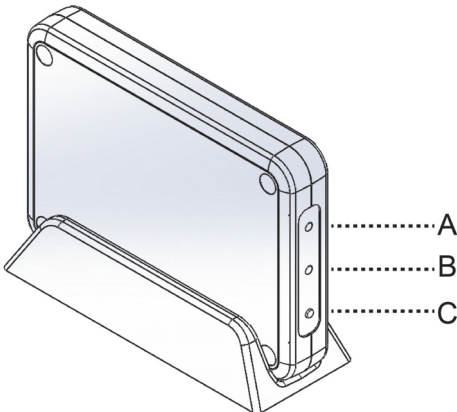
- Firmware Version 1.12 (or higher)
- 2GIG-XCVR 900 MHz Transceiver

IMPORTANT: For compliance with *UL 1023: Household Burglar-Alarm System Units*, the Go!Bridge must be installed in the same room as the Internet modem or router.

NOTE: To protect data sent via the local wireless network, it is recommended that you install the Go!Bridge IP Communicator on a local network where either WPA (Wi-Fi Protected Access) or WPA2 (Wi-Fi Protected Access II) encryption is already enabled.

After installing, programming, and testing the Go!Bridge IP Communicator, you will need to register a new customer with the third-party monitoring service. See *Registration* on page 3.

Figure 1 Go!Bridge Front View—LED Indicators and Learn Button



- A Network LED
- B 900 MHz LED
- C Learn Button

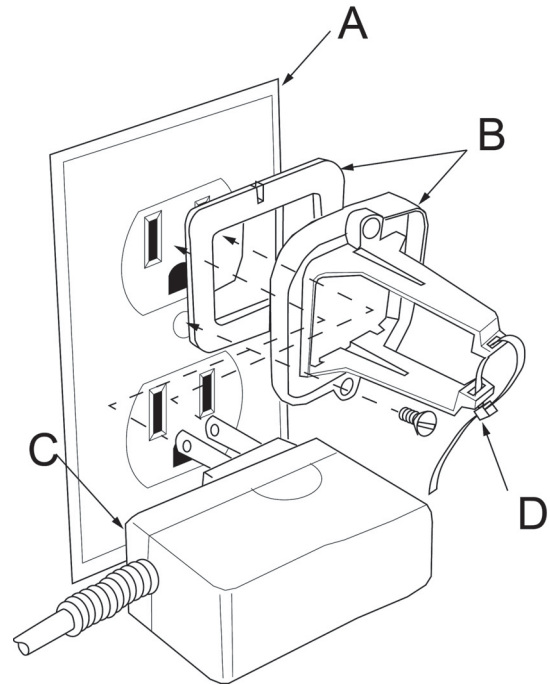
Powering ON the Go!Bridge IP Communicator

Use these steps to power ON the Go!Bridge IP Communicator:

- 1 Attach the power supply to the bracket (provided) as follows:
 - 1a Insert the power supply into the enclosure on the plastic bracket. See C in the figure below.
 - 1b Secure the power supply to the retaining bracket by threading a zip tie through the bracket's slots. See D in the figure below.
 - 1c Remove the strip from the self-adhesive backing on the power supply bracket.
 - 1d Affix the adhesive on the bracket to the wall outlet. Then secure the bracket to the outlet with the wall socket screw (provided).

NOTE: Always use the provided power supply bracket in the United States (and other countries where it is required). Canada does not require the power supply retaining bracket.

Figure 2 Power Supply and Bracket



- A 110V Wall Outlet
- B Plastic Power Supply Bracket with Adhesive Backing
- C AC Power Supply
- D Zip Tie

- 2 Connect the Go!Bridge to the power source.

NOTE: Do not connect an Ethernet cable to the Go!Bridge IP Communicator at this time. You will connect the cable when completing the steps in *Programming the Go!Bridge IP Communicator into the Control Panel*.

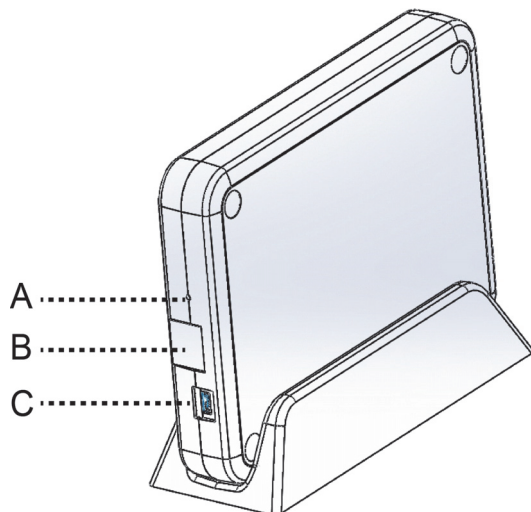
- 3 (Optional) Place the stand (provided) on a counter, desktop, or other flat surface. Set the Go!Bridge IP Communicator in the stand.

NOTE: To protect surfaces from damage, affix the self-adhesive vinyl bumpers to the unit or stand.

- 4 Verify that the two (2) LEDs on the Go!Bridge IP Communicator illuminate in RED. See *Figure 1 Go!Bridge Front View—LED Indicators and Learn Button* on page 1.

NOTE: If the 900MHz LED illuminates in GREEN (the lower LED), verify that the network cable is not connected to the Go!Bridge IP Communicator. If the cable is disconnected and it is still illuminated GREEN, use the end of an open paperclip to press and release the recessed **Reset** button. The button is located inside the small hole on the port side of the Go!Bridge IP Communicator, directly above the Ethernet port. This restores the factory settings. See *Figure 3 Go!Bridge IP Communicator Rear View—Ports and Recessed Reset Button*.

Figure 3 Go!Bridge IP Communicator Rear View—Ports and Recessed Reset Button



- A Recessed Reset Button
- B Ethernet Port
- C Power Supply Port

5 After the Go!Bridge IP Communicator is powered ON, continue with *Programming the Go!Bridge IP Communicator into the Control Panel*.

Programming the Go!Bridge IP Communicator into the Control Panel

Use these steps to place the control panel and Go!Bridge IP Communicator in learning mode. This gives the control panel the ability to learn the network settings transmitted by the Go!Bridge IP Communicator.

NOTE: To scroll between options on the control panel, tap the ← and → arrows. To move to the previous or next prompt tap the ↑ and ↓ arrows.

1 Connect an Ethernet cable (not included) to the router and Go!Bridge IP Communicator. Do not plug the cable into the uplink port.

IMPORTANT: For compliance with *UL 1023: Household Burglar-Alarm System Units*, the Go!Bridge must be installed in the same room as the Internet modem or router.

- 2 Ensure the control panel is powered ON. Then tap the **Home** (⊕) button.
- 3 Tap the system logo in the lower-right corner of the control panel Home screen.
- 4 At the **Enter Your Code** screen, enter the four (4)-digit master installer code to go to the **Installer Toolbox (1 of 2)** screen.
- 5 At the **Installer Toolbox (1 of 2)** screen, tap **System Configuration**.
- 6 At the **Q1: Select RF Sensor # (01 to 48)** screen, tap **Go To**.
- 7 At the **Enter Question Number (2 Digits)** screen, enter **92**.
- 8 At **Q92 Select Network Device (0 to 1)**, tap → to scroll to (1) *Go!Bridge IP Communicator*. Then tap ↓.

- 9 At **Q: Network Device ID (Read Only)**, tap **Learn**. This gives the panel the ability to discover the read-only network device ID transmitted by the Go!Bridge IP Communicator.
At the **Pair with Xcvr Device** screen, the “initiating learning process” message appears.
- 10 On the Go!Bridge IP Communicator, press and release the Learn button (this is the small, black plastic button on the LED side of the Go!Bridge IP Communicator below the 900MHz LED). This transmits the device ID to the Control Panel.
When the “learn operation succeeded” message appears and the panel displays the **Type** (Go!Bridge IP Communicator) and **ID#**, the Go!Bridge IP Communicator and panel are linked. The 900MHz LED on the Go!Bridge IP Communicator also flashes GREEN.
- 11 At the **Pair with Xcvr Device** screen, tap **OK**. Then tap ↓ to continue with *Configuring the Go!Bridge IP Communicator Settings* below.

Configuring the Go!Bridge IP Communicator Settings

- 1 At the **Q: Select Port # (1 to 8)** screen, enter the port number for the third-party monitoring services’ server. Then tap ↓.
 - 2 At **Q: Used (0 to 1)**, tap → to select one (1) of these options:
 - (0) *Disabled* (Recommended). This is the default setting. Most users will keep this port disabled. Then tap **Next** and skip to step 3.
 - OR
 - (1) *Enabled*. Then tap ↓. At the **Q: Enter Port Value (0-65535)** screen, tap ↓ to accept the default port value. Next, at the **Q: Enter Port Forward IP Address** screen, tap ↓ to accept the address configured by the provider. You can configure up to eight (8) ports. If you are finished configuring ports, tap **Next**.
 - 3 At the **Summary of Network Device** screen, tap ↓. Verify the list of port numbers and forward IP addresses appears as programmed. Then tap **Skip**.
 - 4 At **Q93 Enter Broadband Network Failure Time (1 to 255)**, enter the desired number of minutes that must pass before a network failure triggers the Control Panel to issue a trouble alert. The default value is 30 minutes. Then tap ↓.
- NOTE:** A trouble alert consists of an audible beep and the Control Panel’s Home screen displays a trouble message.
- 5 At **Q94 Select Broadband Network Failure Report (0 or 1)**, tap → to select whether or not to report the broadband network failure to the monitoring service:
 - (1) *Enabled*. This is the default setting. Network failures are reported to monitoring service.
 - OR
 - (0) *Disabled*. Network failures are not reported.
 - 6 Tap **End**.
 - 7 At the **Summary of System Configuration** screen, verify the settings. Then tap **Save Changes**.
 - 8 Tap **Exit** to close the System Configuration screen.

LED Indicators

The table details the LED indicators on the Go!Bridge IP Communicator.

Network LED	Globe Icon
Solid GREEN	Indicates the presence of an external network connection.
Flashing GREEN	Network cable is plugged in and IP address is actively being assigned.
Solid RED	Network cable unplugged.
900 MHz LED	Icon Labeled “900MHz”
Solid GREEN	Linked and communicating with the Control Panel.
Flashing GREEN	Linked to the Control Panel. Communication issues exist.
Solid RED	Not linked to the Control Panel, turns solid after a device reset.
Flashing RED	Not linked to the Control Panel.

Verifying the Settings

In addition to verifying the settings after configuring the Go!Bridge IP Communicator, you can also verify the settings at any time as follows:

- 1 At the Control Panel's Home screen, tap **Security**.
- 2 Tap **Menu**.
- 3 Tap **Toolbox**.
- 4 In the **Enter Your Code to Access the Toolbox** screen, enter the master user code.
- 5 Tap → to scroll to the **Toolbox (3 of 3)** screen. Then tap **Go!Bridge IP Communicator Status**.

A summary screen displays the following information:

- **Network Configuration.** The network type configuration.
- **IP Address.** The IP Address for the Go!Bridge IP Communicator. This is a 32-bit numeric address that identifies the device on the network.
- **Subnet Mask.** The subnet mask for the network. All devices that are joined to a network belong to a subnetwork.
- **Gateway.** The IP Address for the access point to the external network. Typically, this is the IP Address of the local network router or node that control traffic for your ISP.
- **MAC Address.** This is the Media Access Control (MAC) Address. It is a physical address that is encoded to the Go!Bridge IP Communicator during the manufacturing process.

Testing

The Go!Bridge IP Communicator tests the network connection to the third-party monitoring service. A report shows if Go!Bridge IP Communicator has successfully connected (or failed to connect) to the external server.

Registration

To register the Go!Bridge IP Communicator with the monitoring service, refer to your specific provider's registration instructions.

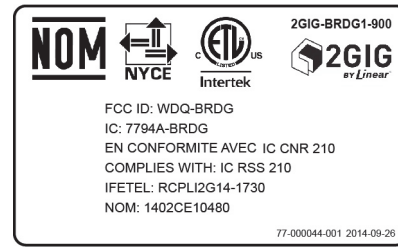
SPECIFICATIONS

Wireless Signal Range	500 ft (152.4 m), open air, with Wireless Control Panel
Transceiver	Silicon Labs SI1001-E-GM2
Transceiver Frequency	25 channel frequency-hopping spread spectrum, 403 kHz channel spacing (910.2-920.275 MHz)
Modulation Type	GFSK modulation, 128 kpbs
RF Power	+19dBm Maximum
Ethernet	10/100 BaseT
Dimensions (L x W x H)	6.24 x 4.5 x 1 in (159 x 114 x 25 cm)
Weight	9.6 oz
Housing Material	Cycloloy™ Resin C2800 (Rated to <i>UL 94 V-0: Flammability Standard</i>)
Color	White
Operating Temperature	-32° F to 120° F, (0° C to +49° C)
Relative Humidity	5-95% Non-Condensing
Operating Voltage	5VDC
Certification	ETL, FCC, IC, IFETEL, and NOM

Important Note

Should the local network lose Internet access due to a power outage or interruption, the Go!Bridge IP Communicator is not equipped with a backup battery system. To best prepare for power failures and to ensure the security system maintains Internet access with the monitoring service for life-safety communications during power failures, the local network must have a dedicated Uninterrupted Power Supply (UPS) or backup battery solution from a third-party manufacturer in place. Linear LLC does not supply, provide, recommend, or test the Go!Bridge with any UPS or battery backup solution. It is also assumed that owner's Internet Service Provider (ISP) maintains a backup battery (or power generator) for their remote network equipment.

REGULATORY INFORMATION



Wireless Product Notice

Radio controls provide a reliable communications link and fill an important need in portable wireless signaling; however, there are some limitations which must be observed.

- For United States Installations Only: The radios are required to comply with FCC Rules and Regulations as Part 15 devices. As such, they have limited transmitter power and therefore limited range (approximately 400 ft.).
- A receiver cannot respond to more than one (1) transmitted signal at a time and may be blocked by radio signals that occur on or near their operating frequencies, regardless of code settings.
- Changes or modifications to the device may void FCC compliance.
- Infrequently used radio links should be tested regularly to protect against undetected interference or fault.
- A general knowledge of radio and its vagaries should be gained prior to acting as a wholesale distributor or dealer, and these facts should be communicated to the end users.

FCC Notice

This device complies with Part 15 of the FCC Rules. Operation is subject to the following two conditions:

- 1 This device may not cause harmful interference, and
- 2 This device must accept any interference received, including interference that may cause undesired operation.

This equipment has been tested and found to comply with the limits for Class B Digital Device, pursuant to Part 15 of the FCC Rules. These limits are designed to provide reasonable protection against harmful interference in a residential installation. This equipment generates and can radiate radio frequency energy and, if not installed and used in accordance with the instructions, may cause harmful interference to radio communications. However, there is no guarantee that interference will not occur in a particular installation. If this equipment does cause harmful interference to radio or television reception, which can be determined by turning the equipment off and on, the user is encouraged to try to correct the interference by one(1) or more of the following measures.

- Reorient or relocate the receiving antenna
- Increase the separation between the equipment and receiver
- Connect the equipment into an outlet on a circuit different from that to which the receiver is connected
- Consult the dealer or an experienced radio/TV technician for help

Any changes or modifications not expressly approved by the party responsible for compliance could void the user's authority to operate the equipment.

Industry Canada (IC) Compliance

This device complies with Industry Canada license-exempt RSS standard(s). Operation is subject to the following two conditions: (1) this device may not cause interference, and (2) this device must accept any interference, including interference that may cause undesired operation of the device.

Repairs to certified equipment should be made by an authorized Canadian maintenance facility designated by the supplier. Any repairs or alterations made by the user to this equipment, or equipment malfunctions, may give the telecommunications company cause to request the user to disconnect the equipment.

Users should ensure for their own protection that the electrical ground connections of the power utility, telephone lines and internal metallic water pipe system, if present, are connected together. This precaution may be particularly important in rural areas.

WARNING: Users should not attempt to make such connections themselves, but should contact the appropriate electric inspection authority, or electrician, as appropriate.

LIMITED WARRANTY

This Linear product is warranted against defects in material and workmanship for two (2) years. This warranty extends only to wholesale customers who buy direct from Linear LLC or through Linear LLC's normal distribution channels. Linear LLC does not warrant this product to consumers. Consumers should inquire from their selling dealer as to the nature of the dealer's warranty, if any.

There are no obligations or liabilities on the part of Linear LLC for consequential damages arising out of or in connection with use or performance of this product or other indirect damages with respect to loss of property, revenue, or profit, or cost of removal, installation, or reinstallation. All implied warranties for functionality, are valid only until the warranty expires. This Linear LLC Warranty is in lieu of all other warranties expressed or implied.

2GIG by Linear

1950 Camino Vida Roble, Suite 150
Carlsbad, CA 92008 USA



For technical support in the USA and Canada:

Dial: 855-2GIG-TECH (855-244-4832)
Email: 2gigtechsupport@linearcorp.com
Visit web site for technical support hours of operation

For technical support outside of the USA and Canada:

Contact your regional distributor
Visit dealer.2gig.com for a list of distributors in your region

77-000044-001 Rev. E