

USE THIS MANUAL IF USING THE SPECIAL TRANSMITTER TO SEND SIGNAL TO SIREN



Wireless Security Solutions

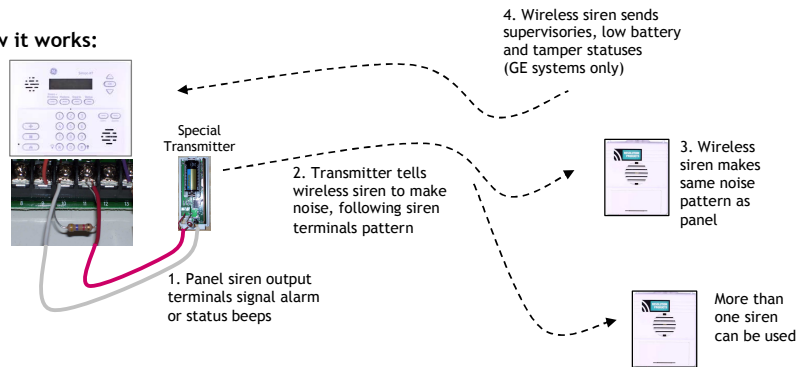
RE116-U Wireless Siren, Universal using RE150 Special Transmitter

Features

- Remote Wireless Siren
- Works with any panel with siren terminals
- Special transmitter at panel sends siren signals
- Siren cadence synchronized to panel
- Automatically follows panel beep volume
- Wall-powered, with backup power on CR123A battery
- Can use multiple Sirens on one panel
- Cover tamper
- Unparalleled wireless range
- Low Battery indication
- 3x4x1.25 inches
- Siren can also respond to a GE Key Fob (instead of a Panel)



How it works:



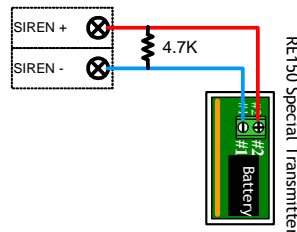
Key Instructions

TYPICAL HARDWARE CONNECTIONS

Refer to *Siren Hardware Connections* for specific panel connections and settings.

Connect Special Transmitter to Control Panel Siren:

- Remove Special Transmitter battery during install.
- MOUNT SPECIAL TRANSMITTER OUTSIDE ANY METAL CANS!



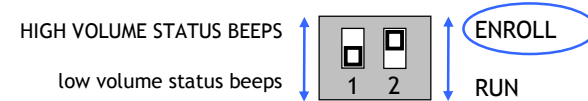
USE THIS MANUAL IF USING THE SPECIAL TRANSMITTER TO SEND SIGNAL TO SIREN

ENROLLMENT

Open the Siren battery door, giving access to the programming switches.
Power the Special Transmitter with its battery.
Power the Siren with its battery.

Enrolling Special Transmitter into Siren - to send panel siren signals to Siren

1. Put Siren Function in ENROLL Mode.



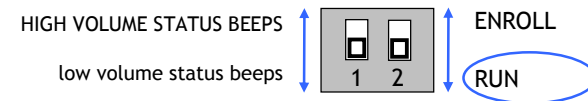
2. Press and release the Special Transmitter tamper switch.

The Siren will beep 4 times, indicating enrollment.

3. IMPORTANT: Put cover on Special Transmitter.

4. Put Siren Function Switches in RUN Mode.

Select low volume or HIGH VOLUME status beeps



DO THESE STEPS ONLY IF PANEL IS A GE SYSTEM.

Enrolling Siren in Panel - to monitor both Special Transmitter and Siren (Siren only talks GE wireless):

- If you want to have Siren monitor the Special Transmitter In Step 2 above, instead of using the Special Transmitter's tamper switch to enroll, pull and replace Special Transmitter battery. Siren will beep 8 times.
 - ❖ IMPORTANT: You must NOT enroll Special Transmitter in panel. Panel will go CRAZY with alarms.
5. After step 4 above, enroll Siren into GE panel:
With Panel in enroll mode...Cycle tamper switch on Siren. Enroll in Group 10.

Put cover on Siren.
Plug Siren in wall.
System is ready to operate.

MULTIPLE SIRENS:

You can enroll multiple sirens in one system. Just enroll the same single original Special Transmitter in the 2nd Siren. Simply repeat Steps 1-4 with the 2nd Siren.

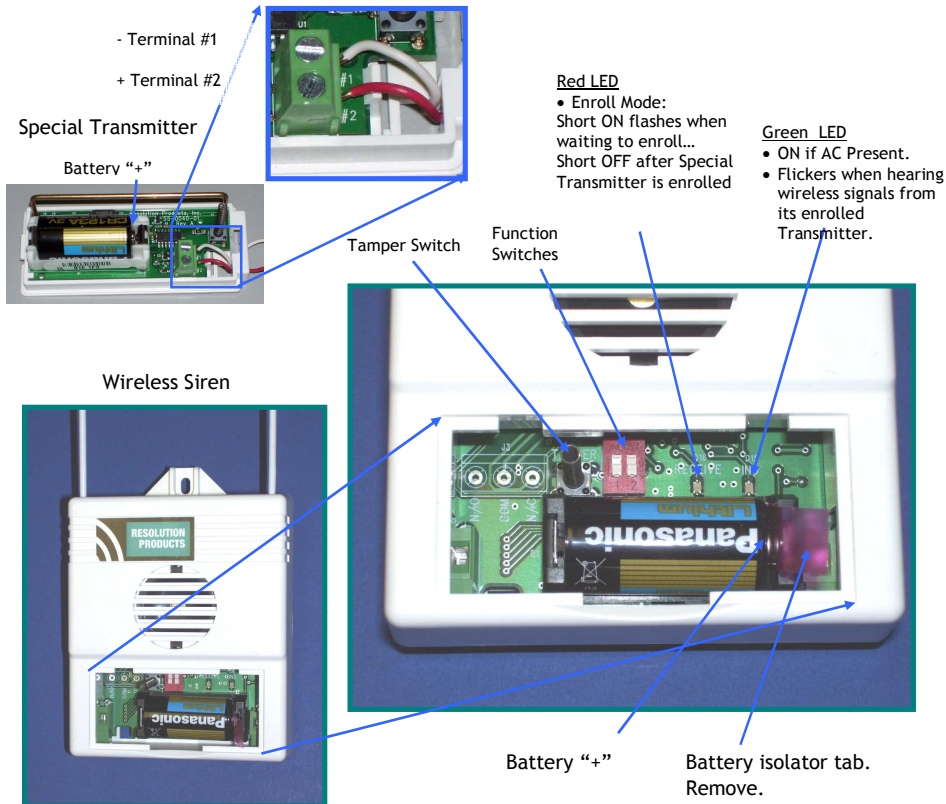
TO DRIVE SIREN FROM KEY FOB (instead of driving Siren from Panel)
Repeat Steps 1-4, but use Key Fob Lock + Unlock, instead of Special Transmitter.

TO CHECK SPECIAL TRANSMITTER → SIREN LINK:
Tamper, or install the battery in the Special Transmitter → Siren will beep twice.

USE THIS MANUAL IF USING THE SPECIAL TRANSMITTER TO SEND SIGNAL TO SIREN

Operation

- Alarm
 - Siren follows panel alarm pattern.
 - Some panels (Lynx, 2GIG) cannot drive siren without AC power.
- GE panels only:
 - Supervision
 - Siren sends supervisory signals to panel IF:
 - Siren has AC power.
 - AND, if Special Transmitter is enrolled in Siren...
 - Siren has heard signal from Special Transmitter in previous 60 minutes.
 - Tamper
 - When cover is opened on Siren, or on Special Transmitter if enrolled.
- Key Fob Response [if you instead enroll a GE-Compatible Key Fob into Siren]
 - Lock → Low-level beeps for 5 seconds
 - Lock & Unlock → High-level beeps for 5 seconds
 - Star → Low-level beeps for 4 minutes
 - Star & Light → High-level beeps for 4 minutes
 - Unlock → Silence



USE THIS MANUAL IF USING THE SPECIAL TRANSMITTER TO SEND SIGNAL TO SIREN

Siren Specifications

Device Behavior:	Siren Supervision in GE panels acts like a Door/Window Battery & Tamper
Supervisory Time	64-68 minutes
Alarm Patterns:	Follows panel Siren ON/OFF Directly
	Shortest ON pulse: 250 ms
	Shortest OFF Pulse: 250 ms
Alarm Sound Intensity	85dB, minimum, at 1m
Receiver:	Dual antenna diversity
Transmitter>	Dual antenna Diversity
Electrical Connection:	US 2-prong Electrical outlet blades
Mounting hardware:	Secure with outlet plate mounting screw
Terminal wire capacity:	16 Gauge
Backup Battery Life:	48 hours cumulative, <u>non-rechargeable</u>
Back-up Battery:	CR123A 1550 mA/H
Temperature Range:	0F to 120F
Housing dimensions:	3x4x1.25 inches

Specifications subject to change without notice.

Notices

“GE”, “Honeywell”, and “DSC” are trademarks owned by General Electric Company, Honeywell International Inc., and Tyco Safety Products Canada LTD, respectively.

Resolution Products, Inc. products will function with one of either GE, DSC or Honeywell systems. However, no Resolution product is produced by, endorsed by, nor is officially associated with GE, Honeywell or DSC. Resolution recommends verifying proper enrollment and operation, per control panel installation instructions, at installation.

Warranty

Resolution Products, Inc. will replace products that are defective in their first year.

FCC Notice

This device complies with Part 15 of the FCC rules. Operation is subject to the following two conditions:
 This device may not cause harmful interference.
 This device must accept any interference that may be received, including interference that may cause undesired operation.

Changes or modifications not expressly approved by the Resolution Products, Inc. could void the user's authority to operate this equipment.

FCC ID: U5X-RE116 (Siren)

FCC ID: U5X-RE150 (Special Transmitter)

IC Notice

This device complies with Industry Canada license-exempt RSS standard(s). Operation is subject to the following two conditions:

1. This device may not cause interference, and
2. This device must accept any interference, including interference that may cause undesired operation of the device.

Cet appareil est conforme avec d'Industrie Canada RSS standard exempts de licence. Son fonctionnement est soumis aux deux conditions suivantes:

1. Ce dispositif ne peut causer des interférences, et
2. Ce dispositif doit accepter toute interférence, y compris les interférences qui peuvent causer un mauvais fonctionnement du dispositif.

IC: 8310A-RE116 (Siren)

IC: 8310A-RE150 (Special Transmitter)